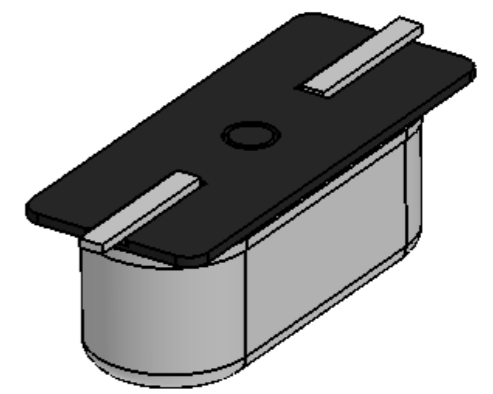
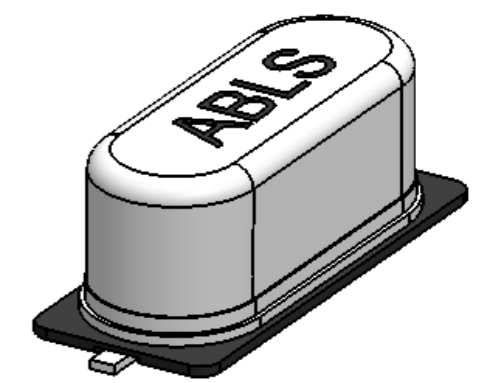
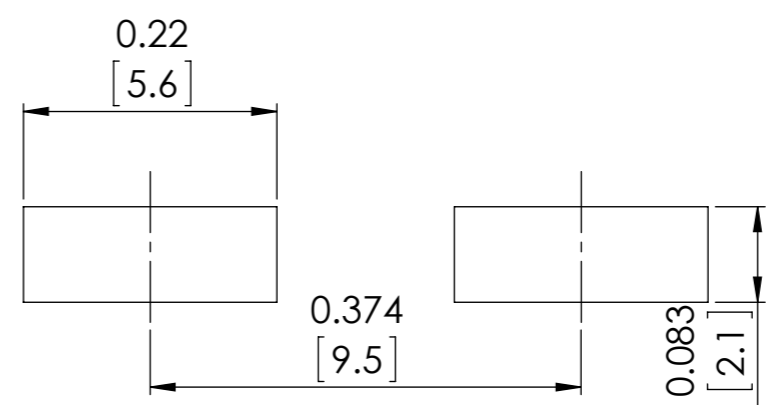



**Recommended Land Pattern**



**TOP PACKAGE MARKING IS FOR ILLUSTRATION PURPOSES ONLY**

UNLESS OTHERWISE SPECIFIED: DIMENSIONS ARE IN INCH(MM) SURFACE FINISH: TOLERANCES: LINEAR: ANGULAR:				FINISH:	DEBUR AND BREAK SHARP EDGES	DO NOT SCALE DRAWING	REVISION -
DRAWN	NAME	SIGNATURE	DATE			 <b>ABRACON CORPORATION</b> 30332 Esperanza, Rancho Santa margarita, California 92688	
CHK'D	SAAZVAT					TITLE: HC/49US (AT49) SMD LOW PROFILE CRYSTAL	
APPV'D	XXXXXX					DWG NO.	A3
MFG					MATERIAL:	ABLS	
Q.A					WEIGHT: 0.00	SCALE:6:1	SHEET 1 OF 1